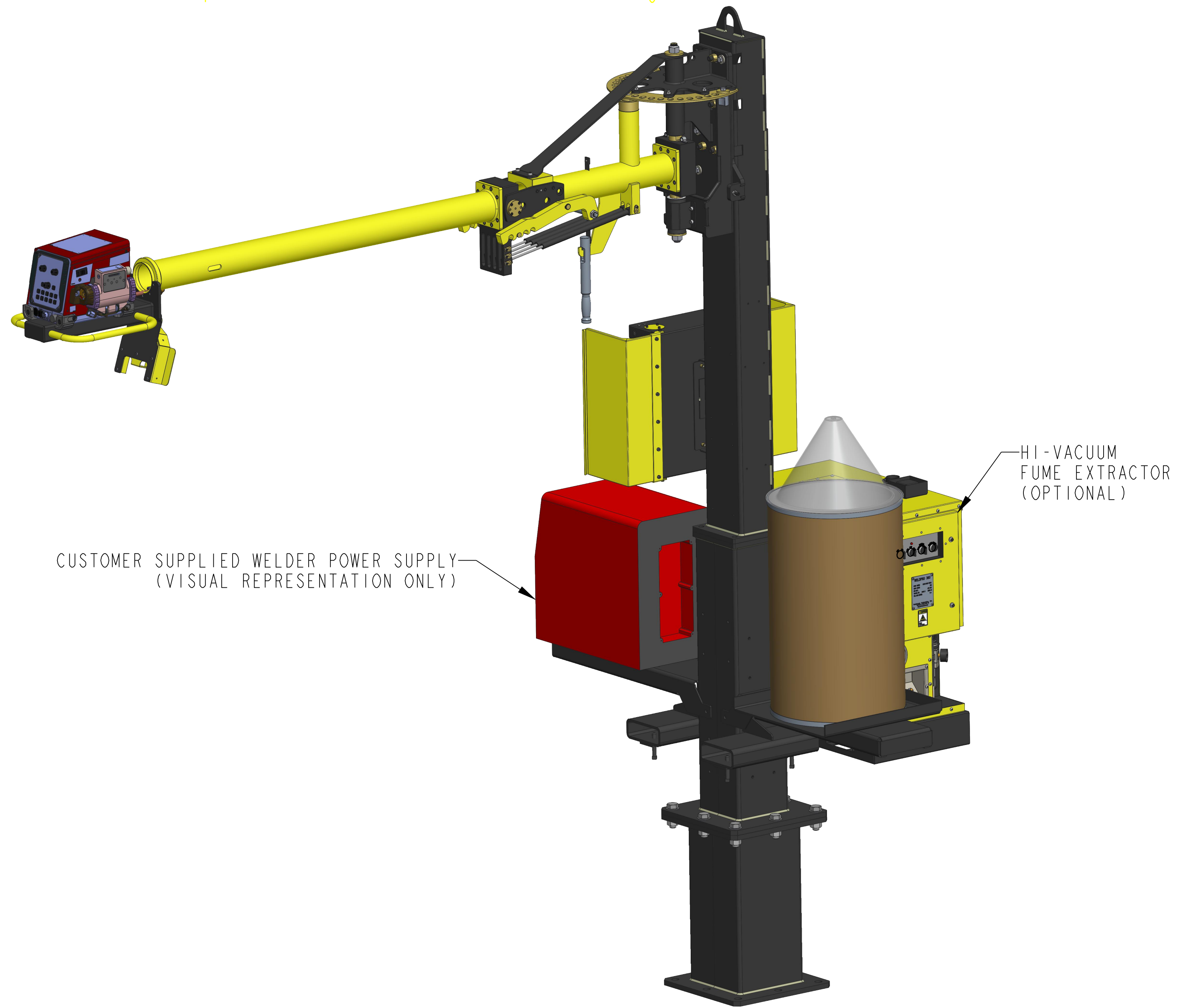


SCALE 0.125



SCALE 0.094

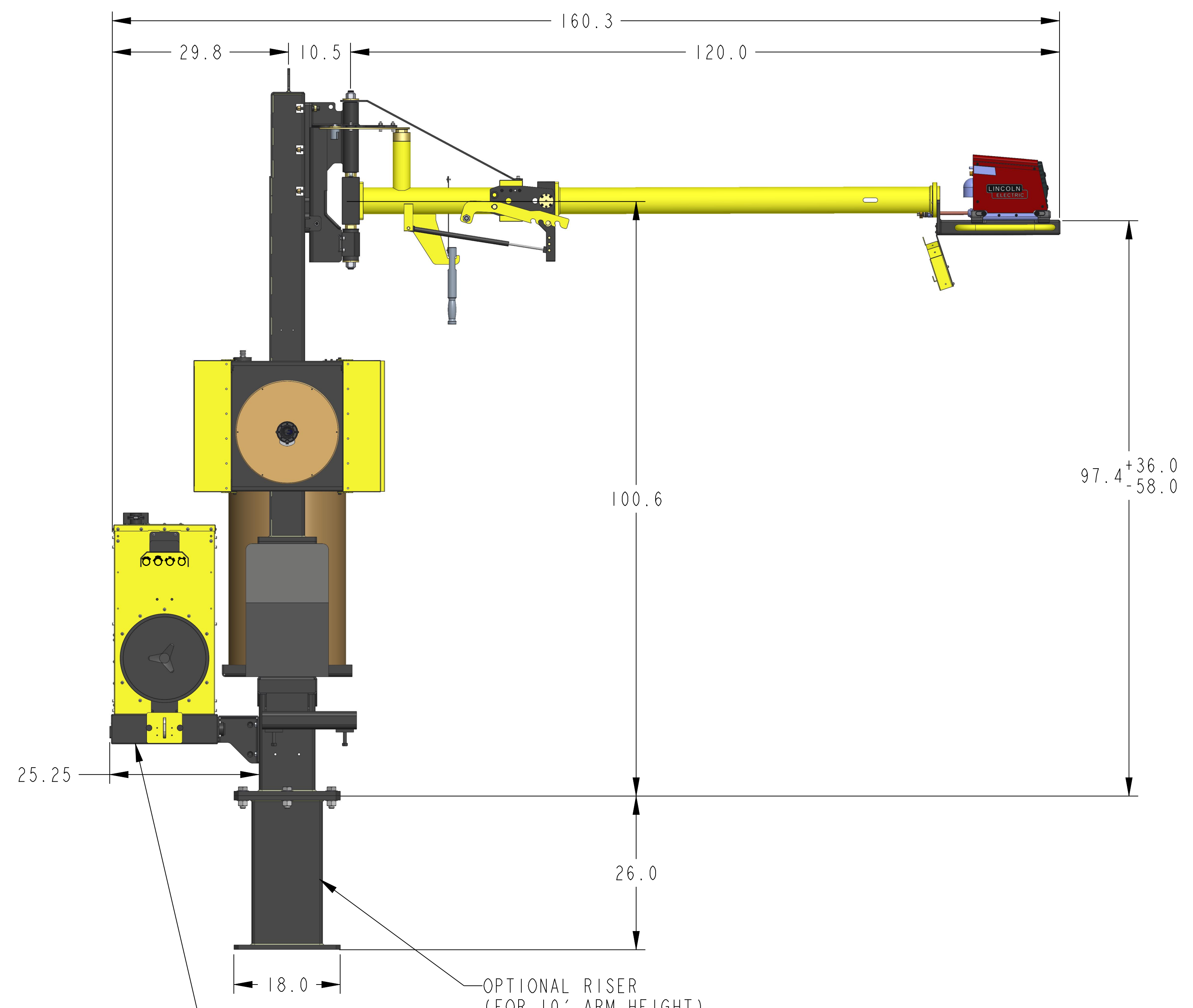
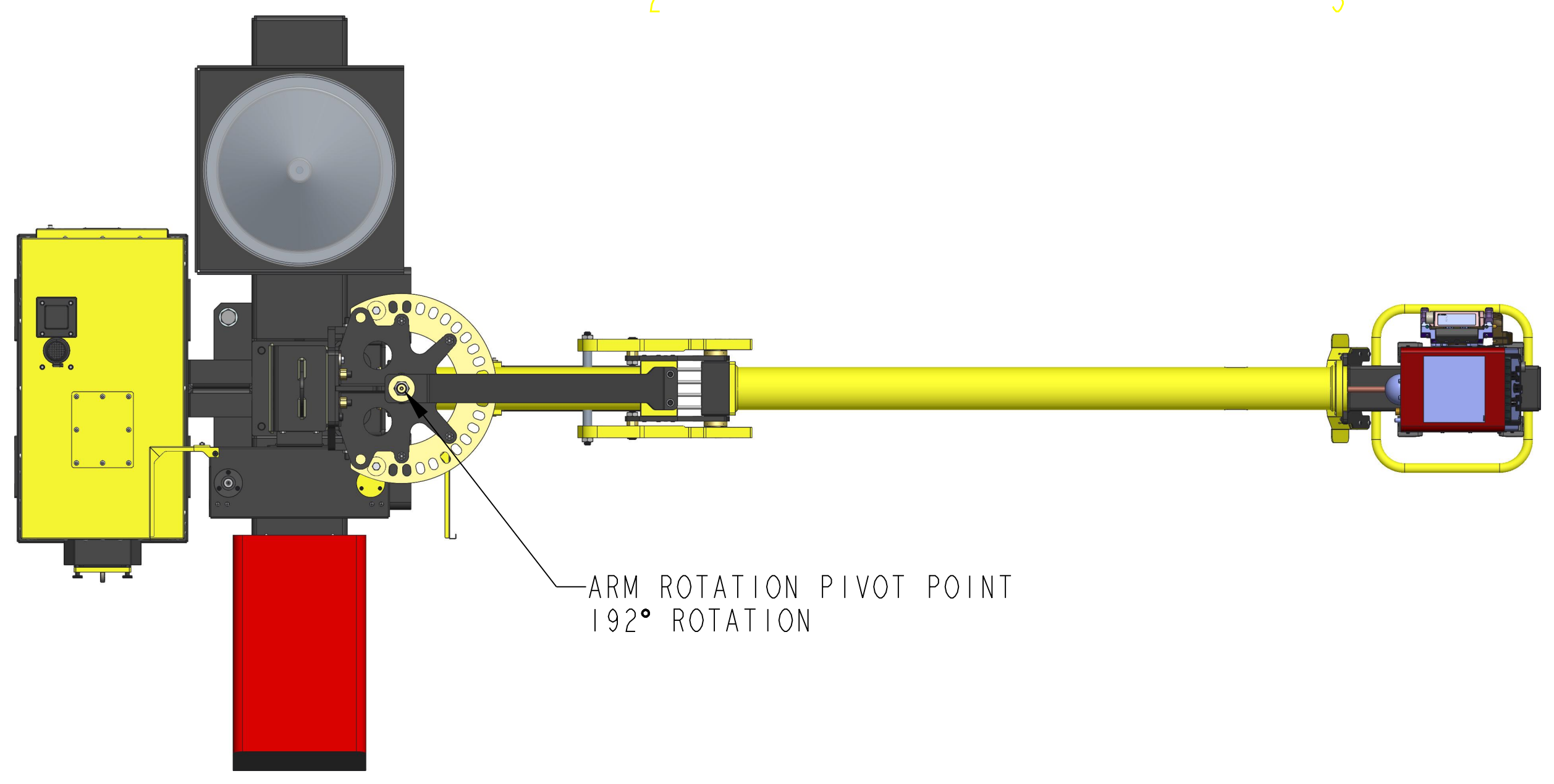
FORMAT: D-TITLE.V2 I.10

| MODEL           |                                 | DRAWING           |                                 | MANUFACTURING TOLERANCES UNLESS OTHERWISE SPECIFIED |       |
|-----------------|---------------------------------|-------------------|---------------------------------|---|-------|
| CREATION DATE:  | 21-Dec-23 02:34:24 PM           | CREATION DATE:    | 21-Dec-23 02:34:24 PM           | DECIMAL X   | ±.060 |
| DESIGNER:       | Steve Anderson (Steve Anderson) | DETAILER:         | Steve Anderson (Steve Anderson) | DECIMAL XX  | ±.030 |
| LAST UPDATED:   | 21-Dec-23 02:34:28 PM           | LAST UPDATED:     | 21-Dec-23 02:34:28 PM           | DECIMAL XXX   | ±.010 |
| UPDATED BY:     | Steve Anderson (Steve Anderson) | UPDATED BY:       | Steve Anderson (Steve Anderson) | ANGULAR ±1°   |       |
| DISPOSITION:    | Design Stage                    | DISPOSITION:      | Design Stage                    | DO NOT SCALE DWG.                                   |       |
| MODEL REVISION: | 1.1                             | DRAWING REVISION: | 1.1                             |   |       |

MATERIAL DESCRIPTION

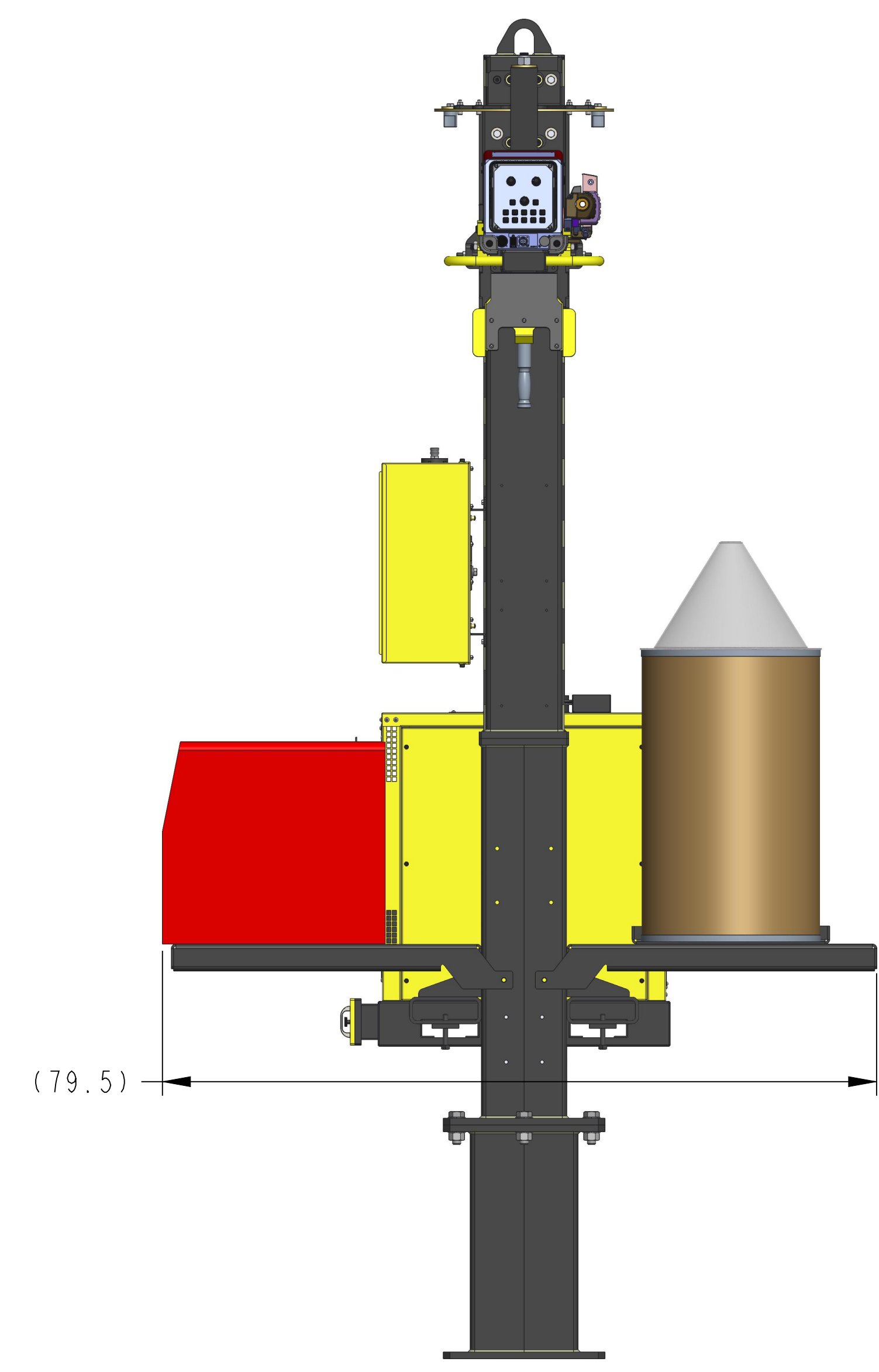
THIS DRAWING HAS BEEN PRODUCED AT THE EXPENSE OF ANDERSEN INDUSTRIES, INC. INASMUCH AS IT CONTAINS INFORMATION BASED UPON OUR EXPERIENCE, KNOW-HOW AND AND INGENUITY, IT IS DISCLOSED TO YOU CONFIDENTIALLY. DO NOT MAKE COPIES OR DISCLOSE TO OTHERS, WITHOUT OUR WRITTEN PERMISSION.

|   |       |      |            |              |  |
|---|-------|------|------------|--------------|--|
| <b>ANDERSEN INDUSTRIES, INC.</b><br>17079 MUSKRAT AVE. ADELANTO, CALIFORNIA |       |      |            |              |  |
| TITLE ASSEMBLY, WP360-LRW 10ML WITH FLOOR MOUNTED COLUMN                    |       |      |            |              |  |
| PROJECTION VIEW   | SCALE | SIZE | DWG NUMBER | SHEET 1 OF 3 |  |
|   | 0.063 | D    | 426774     |              |  |



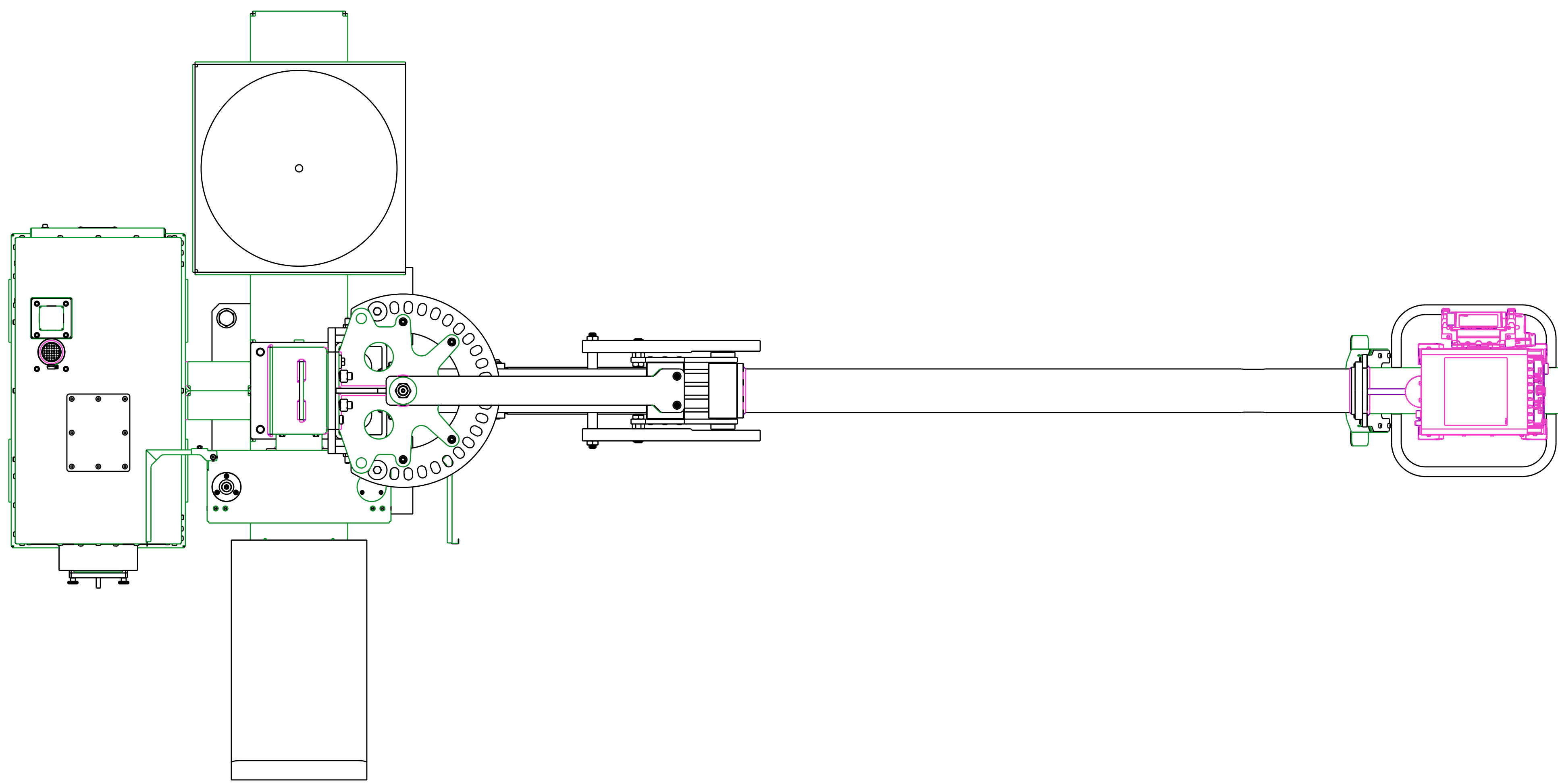
OPTIONAL RISER  
(FOR 10' ARM HEIGHT)

OPTIONAL FUME EXTRACTOR



FORMAT: D-TITLE.V2 I.10

|  |   |   |  |  |                                   |           |                      |
|--|---|---|--|--|-----------------------------------|-----------|----------------------|
| MATERIAL DESCRIPTION   | MODEL   | DRAWING   | MANUFACTURING TOLERANCES UNLESS OTHERWISE SPECIFIED  | ANDERSEN INDUSTRIES, INC.<br>17079 MUSKRAT AVE. ADELANTO, CALIFORNIA |                                   |           |                      |
|  | CREATION DATE: 21-Dec-23 02:34:24 PM<br>DESIGNER: Steve Andersen (Steve Andersen)<br>LAST UPDATED: 21-Dec-23 02:34:28 PM<br>UPDATED BY: Steve Andersen (Steve Andersen)<br>DISPOSITION: Design Stage<br>MODEL REVISION: 1.1 | CREATION DATE: 21-Dec-23 02:34:24 PM<br>DETAILER: Steve Andersen (Steve Andersen)<br>LAST UPDATED: 21-Dec-23 02:34:28 PM<br>UPDATED BY: Steve Andersen (Steve Andersen)<br>DISPOSITION: Design Stage<br>DRAWING REVISION: 1.1 | DECIMAL X ±.060<br>DECIMAL XX ±.030<br>DECIMAL XXX ±.010<br>ANGULAR ±1°<br>DO NOT SCALE DWG. | TITLE<br>ASSEMBLY, WP360-LRW 10ML WITH FLOOR MOUNTED COLUMN          | PROJECTION VIEW<br>SCALE<br>0.080 | SIZE<br>D | DWG NUMBER<br>426774 |
| THIS DRAWING HAS BEEN PRODUCED AT THE EXPENSE OF ANDERSEN INDUSTRIES, INC. INASMUCH AS IT CONTAINS INFORMATION BASED UPON OUR EXPERIENCE, KNOW-HOW AND AND INGENUITY, IT IS DISCLOSED TO YOU CONFIDENTIALLY. DO NOT MAKE COPIES OR DISCLOSE TO OTHERS, WITHOUT OUR WRITTEN PERMISSION. |   |   |  |  |                                   |           |                      |



PLAN VIEW  
SCALE 0.125

FORMAT: D-TITLE.V2 I.10

| MODEL                |                                 | DRAWING  |                                 | MANUFACTURING TOLERANCES UNLESS OTHERWISE SPECIFIED |       | ANDERSEN INDUSTRIES, INC.<br>17079 MUSKRAT AVE., ADELANTO, CALIFORNIA |  |                 |        |      |            |       |        |
|----------------------|---------------------------------|--|---------------------------------|---|-------|---|--|-----------------|--------|------|------------|-------|--------|
| CREATION DATE:       | 21-Dec-23 02:34:24 PM           | CREATION DATE:   | 21-Dec-23 02:34:24 PM           | DECIMAL X   | ±.060 | TITLE   | ASSEMBLY, WP360-LRW 10ML WITH FLOOR MOUNTED COLUMN | PROJECTION VIEW | SCALE  | SIZE | DWG NUMBER | SHEET | 3 OF 3 |
| DESIGNER:            | Steve Andersen (Steve Andersen) | DETAILER:  | Steve Andersen (Steve Andersen) | DECIMAL XX  | ±.030 | ASSEMBLY, WP360-LRW 10ML WITH FLOOR MOUNTED COLUMN                    | 0.063  | D               | 426774 |      |            |       |        |
| LAST UPDATED:        | 21-Dec-23 02:34:28 PM           | LAST UPDATED:  | 21-Dec-23 02:34:28 PM           | DECIMAL XXX   | ±.010 |   |  |                 |        |      |            |       |        |
| UPDATED BY:          | Steve Andersen (Steve Andersen) | UPDATED BY:  | Steve Andersen (Steve Andersen) | ANGULAR ±1°   |       |   |  |                 |        |      |            |       |        |
| DISPOSITION:         | Design Stage                    | DISPOSITION:   | Design Stage                    | DO NOT SCALE DWG.                                   |       |   |  |                 |        |      |            |       |        |
| MODEL REVISION:      | 1.1                             | DRAWING REVISION:  | 1.1                             |   |       |   |  |                 |        |      |            |       |        |
| MATERIAL DESCRIPTION |                                 | THIS DRAWING HAS BEEN PRODUCED AT THE EXPENSE OF ANDERSEN INDUSTRIES, INC. INASMUCH AS IT CONTAINS INFORMATION BASED UPON OUR EXPERIENCE, KNOW-HOW AND AND INGENUITY, IT IS DISCLOSED TO YOU CONFIDENTIALLY. DO NOT MAKE COPIES OR DISCLOSE TO OTHERS, WITHOUT OUR WRITTEN PERMISSION. |                                 |   |       |   |  |                 |        |      |            |       |        |